



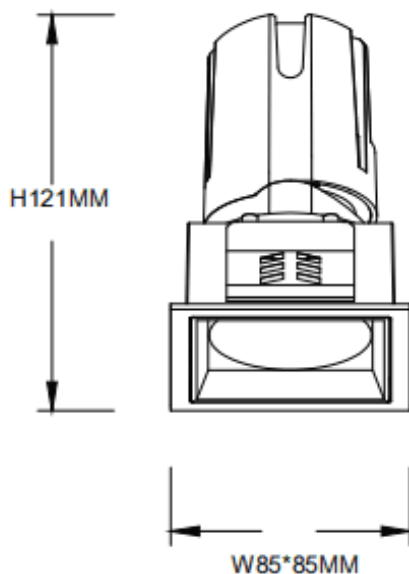
ZENITH IP65S

Lavov downlight from the family ZENITH IP65S with a power of 20W and a 12 degrees beam angle. CCT 4000K. White color. With a total lumen output of 1600lm and a luminous efficacy of 80lm/W. Made in Die Cast Aluminum. IP65degree of protection. Class II isolation. DALI driver. UGR19. CRI90.

Dimensions

Product dimensions (mm) **85*85*121mm**

Scheme



Item code	86.D085.1413.01
Product type	Indoor
Category	Downlights
Family	ZENITH
Subfamily	ZENITH IP65S
Pictograms	

Product	
Real power (W)	20
Real luminous flux (Lm)	1600
Luminous efficiency (Lm/W)	80
Beam angle (°)	12
Life time (h)	50000 h L80B10
IP	65
Electrical class insulation	Clas II
Colour	White
U. G. R	19
Control gear included	Yes
Control gear	DALI
Flicker Free	Yes
Light source	LED
Type of LED	COB
Colour temperature (K)	4000
Colour consistency (SDCM)	SDCM3
CRI	90