



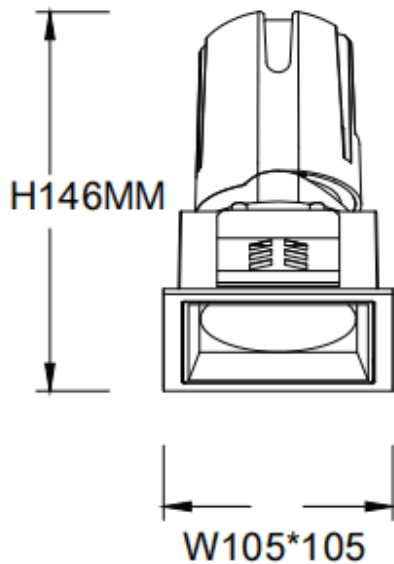
**ZENITH IP65S**

Lavov downlight from the family ZENITH IP65S with a power of 30W and a 12 degrees beam angle. CCT 4000K. Black color. With a total lumen output of 2400lm and a luminous efficacy of 80lm/W. Made in Die Cast Aluminum. IP65degree of protection. Class II isolation. DALIdriver. UGR19. CRI90.

**Dimensions**

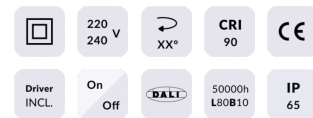
Product dimensions (mm) **105\*105\*146mm**

**Scheme**



<b>Item code</b>	<b>86.D085.2413.02</b>
<b>Product type</b>	<b>Indoor</b>
<b>Category</b>	<b>Downlights</b>
<b>Family</b>	<b>ZENITH</b>
<b>Subfamily</b>	<b>ZENITH IP65S</b>

**Pictograms**



<b>Product</b>	
<b>Real power (W)</b>	<b>30</b>
<b>Real luminous flux (Lm)</b>	<b>2400</b>
<b>Luminous efficiency (Lm/W)</b>	<b>80</b>
<b>Beam angle (&amp;ordm;)</b>	<b>12</b>
<b>Life time (h)</b>	<b>50000 h L80B10</b>
<b>IP</b>	<b>65</b>
<b>Electrical class insulation</b>	<b>Clas II</b>
<b>Colour</b>	<b>Black</b>
<b>U. G. R</b>	<b>19</b>
<b>Control gear included</b>	<b>Yes</b>
<b>Control gear</b>	<b>DALI</b>
<b>Flicker Free</b>	<b>Yes</b>
<b>Light source</b>	<b>LED</b>
<b>Type of LED</b>	<b>COB</b>
<b>Colour temperature (K)</b>	<b>4000</b>
<b>Colour consistency (SDCM)</b>	<b>SDCM&lt;3</b>
<b>CRI</b>	<b>90</b>