



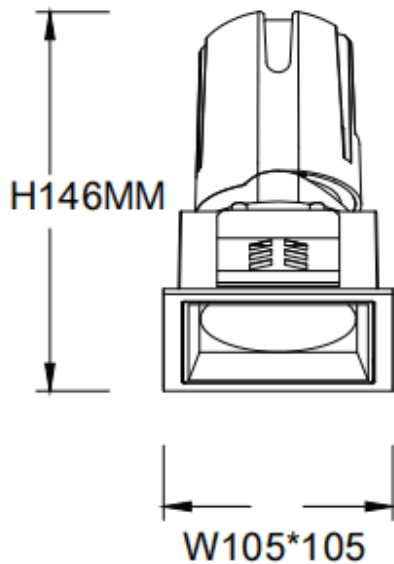
ZENITH IP65S

Lavov downlight from the family ZENITH IP65S with a power of 30W and a 36 degrees beam angle. CCT 4000K. Black color. With a total lumen output of 2400lm and a luminous efficacy of 80lm/W. Made in Die Cast Aluminum. IP65 degree of protection. Class II isolation. ON/OFF driver. UGR19. CRI90.

Dimensions

Product dimensions (mm) **105*105*146mm**

Scheme



Item code	86.D085.2431.02
Product type	Indoor
Category	Downlights
Family	ZENITH
Subfamily	ZENITH IP65S
Pictograms	

Product	
Real power (W)	30
Real luminous flux (Lm)	2400
Luminous efficiency (Lm/W)	80
Beam angle (&ordm;)	36
Life time (h)	50000 h L80B10
IP	65
Electrical class insulation	Clas II
Colour	Black
U. G. R	19
Control gear included	Yes
Control gear	ON/OFF
Flicker Free	Yes
Light source	LED
Type of LED	COB
Colour temperature (K)	4000
Colour consistency (SDCM)	SDCM<3
CRI	90