




### ZENITH IP65R Trimless

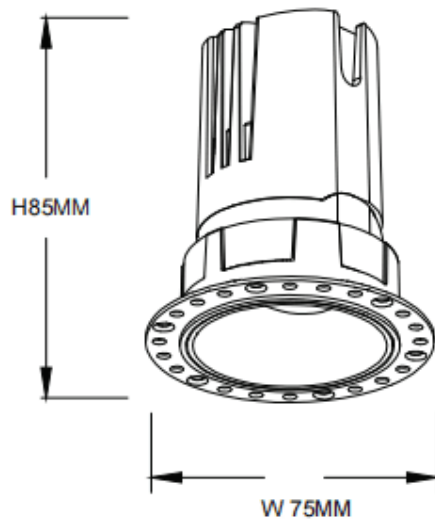
Lavov downlight from the family ZENITH IP65R Trimless with a power of 10W and a 12 degrees beam angle. CCT 4000K. Black color. With a total lumen output of 800lm and a luminous efficacy of 80lm/W. Made in Die Cast Aluminum. IP65 degree of protection. Class II isolation. ON/OFF driver. UGR19. CRI90.

<b>Item code</b>	<b>86.D086.0411.02</b>
<b>Product type</b>	<b>Indoor</b>
<b>Category</b>	<b>Downlights</b>
<b>Family</b>	<b>ZENITH</b>
<b>Subfamily</b>	<b>ZENITH IP65R Trimless</b>
<b>Pictograms</b>	

### Dimensions

**Product dimensions (mm)** **φ75\*H85mm**

### Scheme



<b>Product</b>	
<b>Real power (W)</b>	<b>10</b>
<b>Real luminous flux (Lm)</b>	<b>800</b>
<b>Luminous efficiency (Lm/W)</b>	<b>80</b>
<b>Beam angle (&amp;ordm;)</b>	<b>12</b>
<b>Life time (h)</b>	<b>50000 h L80B10</b>
<b>IP</b>	<b>65</b>
<b>Electrical class insulation</b>	<b>Clas II</b>
<b>Colour</b>	<b>Black</b>
<b>U. G. R</b>	<b>19</b>
<b>Control gear included</b>	<b>Yes</b>
<b>Control gear</b>	<b>ON/OFF</b>
<b>Flicker Free</b>	<b>Yes</b>
<b>Light source</b>	<b>LED</b>
<b>Type of LED</b>	<b>COB</b>
<b>Colour temperature (K)</b>	<b>4000</b>
<b>Colour consistency (SDCM)</b>	<b>SDCM&lt;3</b>
<b>CRI</b>	<b>90</b>