



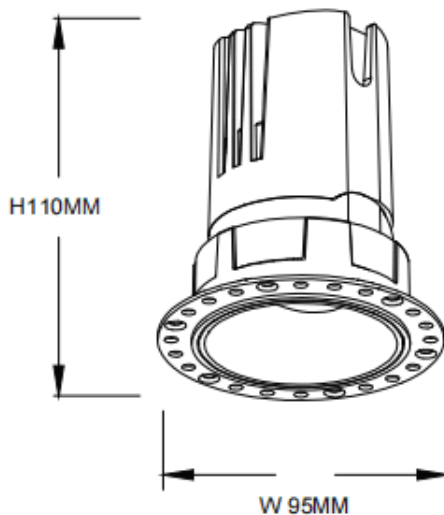
ZENITH IP65R Trimless

Lavov downlight from the family ZENITH IP65R Trimless with a power of 20W and a 12 degrees beam angle. CCT 3000K. Black color. With a total lumen output of 1600lm and a luminous efficacy of 80lm/W. Made in Die Cast Aluminum. IP65 degree of protection. Class II isolation. DALI driver. UGR19. CRI90.

Dimensions

Product dimensions (mm) $\phi 95 \times H110 \text{mm}$

Scheme



Item code	86.D086.1313.02
Product type	Indoor
Category	Downlights
Family	ZENITH
Subfamily	ZENITH IP65R Trimless
Pictograms	

Product	
Real power (W)	20
Real luminous flux (Lm)	1600
Luminous efficiency (Lm/W)	80
Beam angle (º)	12
Life time (h)	50000 h L80B10
IP	65
Electrical class insulation	Clas II
Colour	Black
U. G. R	19
Control gear included	Yes
Control gear	DALI
Flicker Free	Yes
Light source	LED
Type of LED	COB
Colour temperature (K)	3000
Colour consistency (SDCM)	SDCM<3
CRI	90