



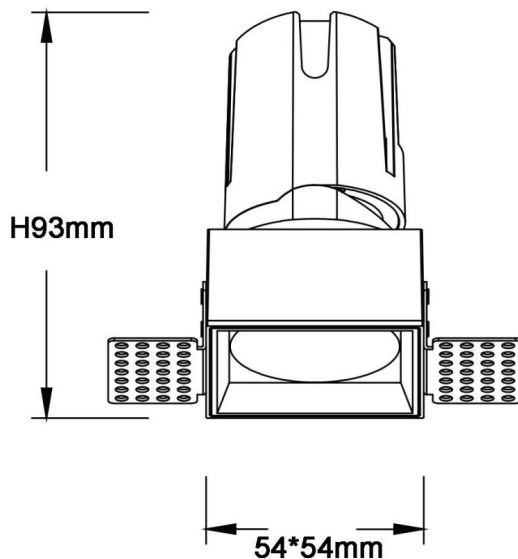
ZENITH IP65S Trimless

Lavov downlight from the family ZENITH IP65S Trimless with a power of 10W and a 36 degrees beam angle. CCT 3000K. White color. With a total lumen output of 800lm and a luminous efficacy of 80lm/W. Made in Die Cast Aluminum. IP65degree of protection. Class II isolation. DALI driver. UGR19. CRI90.


Dimensions

Product dimensions (mm) **54*54*93mm**

Scheme



Photometry

Item code	86.D087.0333.01
Product type	Indoor
Category	Downlights
Family	ZENITH
Subfamily	ZENITH IP65S Trimless
Pictograms	

Product	
Real power (W)	10
Real luminous flux (Lm)	800
Luminous efficiency (Lm/W)	80
Beam angle (º)	36
Life time (h)	50000 h L80B10
IP	65
Electrical class insulation	Clas II
Colour	White
U. G. R	19
Control gear included	Yes
Control gear	DALI
Flicker Free	Yes
Light source	LED
Type of LED	COB
Colour temperature (K)	3000
Colour consistency (SDCM)	SDCM<3
CRI	90

