

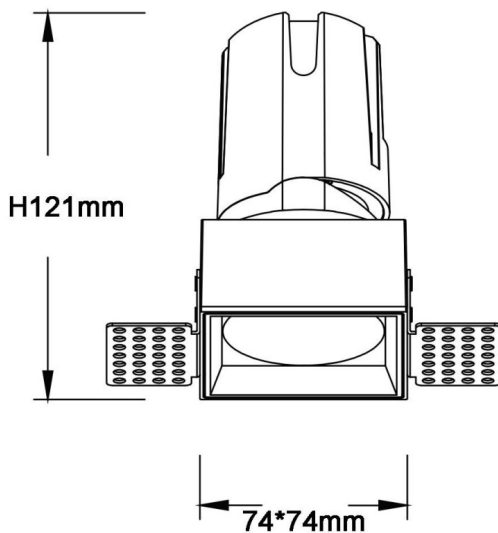


ZENITH IP65S Trimless

Lavov downlight from the family ZENITH IP65S Trimless with a power of 20W and a 60 degrees beam angle. CCT 4000K. Black color. With a total lumen output of 1600lm and a luminous efficacy of 80lm/W. Made in Die Cast Aluminum. IP65degree of protection. Class II isolation. DALI driver. UGR19. CRI90.

Dimensions	
Product dimensions (mm)	74*74*121mm

Scheme



Photometry

Item code	86.D087.1443.02
Product type	Indoor
Category	Downlights
Family	ZENITH
Subfamily	ZENITH IP65S Trimless
Pictograms	

Product	
Real power (W)	20
Real luminous flux (Lm)	1600
Luminous efficiency (Lm/W)	80
Beam angle (º)	60
Life time (h)	50000 h L80B10
IP	65
Electrical class insulation	Clas II
Colour	Black
U. G. R	19
Control gear included	Yes
Control gear	DALI
Flicker Free	Yes
Light source	LED
Type of LED	COB
Colour temperature (K)	4000
Colour consistency (SDCM)	SDCM<3
CRI	90

