



Kepler 3

Lavov downlight from the family Kepler with a power of 12W and a beam angle of 36°. Finished in white colour. With a total lumen output of 726lm and a luminous efficacy of 60,5lm/W. Made in die cast aluminium and PC lenses. Driver On-Off no dim . CCT 3000K.

Item code	86.D099.1331.01
Product type	Indoor
Category	Downlights
Family	Kepler
Subfamily	Kepler 3

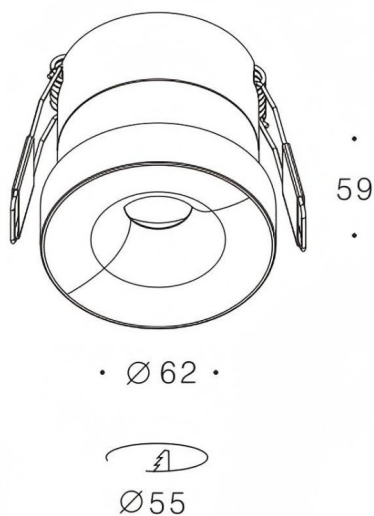
Pictograms

Product	
Real power (W)	12
Real luminous flux (Lm)	806
Luminous efficiency (Lm/W)	67
Beam angle (°)	36°
Life time (h)	50000hrs L80B10
IP	IP44
Colour	white
Control gear included	yes
Control gear	On-Off no dim
Flicker Free	yes
Light source	led
Type of LED	COB
Colour temperature (K)	3000
Colour consistency (SDCM)	SDCM3
CRI	80
IK	06

Dimensions

Product dimensions (mm) **ø62*H59mm**

Scheme



Photometry

