



MINI F

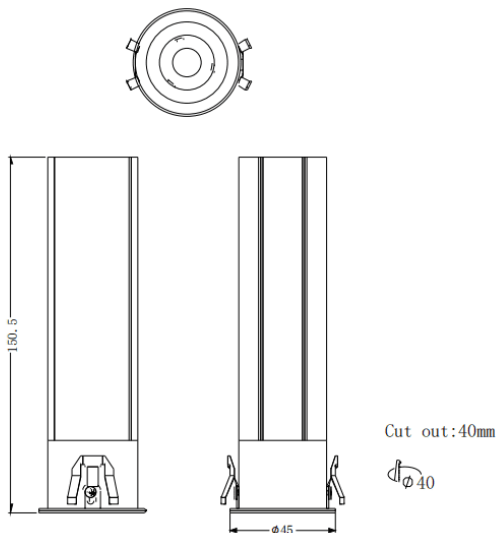
Lavov downlight from the family MINI F with a power of 10W and a beam angle of 36°. Finished in Black colour. Fixed version. With a total lumen output of 840lm and a luminous efficacy of 84lm/W. Made in Die Cast Aluminum. Driver ON/OFF. CCT 2700K.

Item code	86.D102.5231.02
Product type	Indoor
Category	Downlights
Family	MINI
Subfamily	MINI F
Pictograms	

Dimensions

Product dimensions (mm) **Ø45*H150.5mm**

Scheme



Product

Real power (W)	10
Real luminous flux (Lm)	840
Luminous efficiency (Lm/W)	84
Beam angle (°)	36
Life time (h)	50000 h L80B10
IP	20
Electrical class insulation	Clas II
Colour	Black
Control gear included	Yes
Control gear	ON/OFF
Flicker Free	Yes
Light source	LED
Type of LED	COB
Colour temperature (K)	2700
Colour consistency (SDCM)	SDCM3
CRI	90

Photometry

