



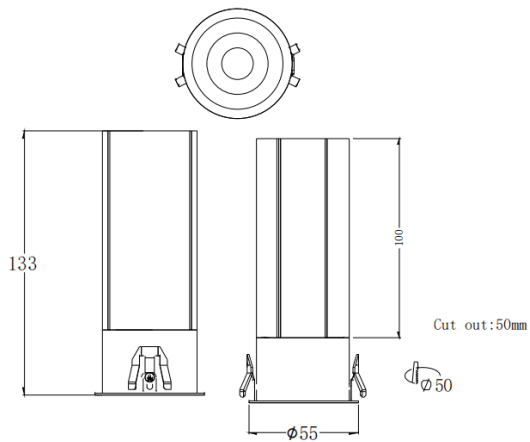
### MINI F

Lavov downlight from the family MINI F with a power of 15W and a beam angle of 15°. Finished in White colour. Fixed version. With a total lumen output of 1427.4lm and a luminous efficacy of 95.16lm/W. Made in Die Cast Aluminum. Driver DALI. CCT 2700K.

### Dimensions

Product dimensions (mm) **Ø55\*H133mm**

### Scheme



### Photometry

Item code	<b>86.D102.7213.01</b>
Product type	<b>Indoor</b>
Category	<b>Downlights</b>
Family	<b>MINI</b>
Subfamily	<b>MINI F</b>
Pictograms	

### Product

Real power (W)	<b>15</b>
Real luminous flux (Lm)	<b>1427.4</b>
Luminous efficiency (Lm/W)	<b>95.16</b>
Beam angle (°)	<b>15</b>
Life time (h)	<b>50000 h L80B10</b>
IP	<b>20</b>
Electrical class insulation	<b>Clas II</b>
Colour	<b>White</b>
Control gear included	<b>Yes</b>
Control gear	<b>DALI</b>
Flicker Free	<b>Yes</b>
Light source	<b>LED</b>
Type of LED	<b>COB</b>
Colour temperature (K)	<b>2700</b>
Colour consistency (SDCM)	<b>SDCM3</b>
CRI	<b>90</b>

