



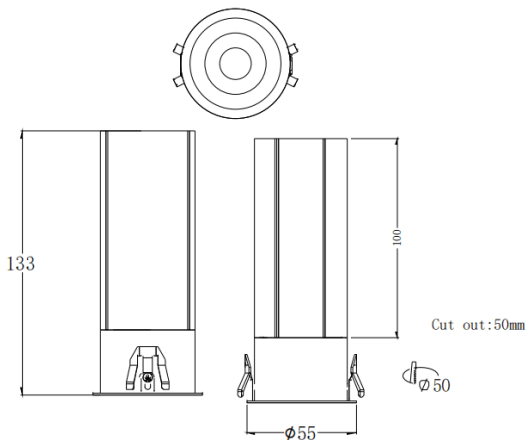
### MINI F

Lavov downlight from the family MINI F with a power of 15W and a beam angle of 36°. Finished in White colour. Fixed version. With a total lumen output of 1427.4lm and a luminous efficacy of 95.16lm/W. Made in Die Cast Aluminum. Driver ON/OFF. CCT 3000K.

### Dimensions

Product dimensions (mm) **Ø55\*H133mm**

### Scheme



Item code	86.D102.7331.01
Product type	Indoor
Category	Downlights
Family	MINI
Subfamily	MINI F
Pictograms	

Product	
Real power (W)	15
Real luminous flux (Lm)	1427.4
Luminous efficiency (Lm/W)	95.16
Beam angle (°)	36
Life time (h)	50000 h L80B10
IP	20
Electrical class insulation	Clas II
Colour	White
Control gear included	Yes
Control gear	ON/OFF
Flicker Free	Yes
Light source	LED
Type of LED	COB
Colour temperature (K)	3000
Colour consistency (SDCM)	SDCM3
CRI	90