



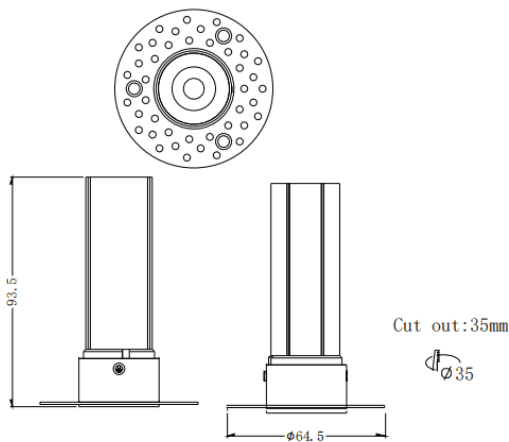
MINI F-T

Lavov downlight from the family MINI F-T with a power of 7W and a beam angle of 15°. Finished in Black colour. Fix trimless version. With a total lumen output of 350lm and a luminous efficacy of 50lm/W. Made in Die Cast Aluminum. Driver DALI. CCT 2700K.

Dimensions

Product dimensions (mm) **ø64.5*H93.5mm**

Scheme



| | |
|--------------|-----------------|
| Item code | 86.D103.3213.02 |
| Product type | Indoor |
| Category | Downlights |
| Family | MINI |
| Subfamily | MINI F-T |
| Pictograms | |

| | |
|-----------------------------|----------------|
| Product | |
| Real power (W) | 7 |
| Real luminous flux (Lm) | 350 |
| Luminous efficiency (Lm/W) | 50 |
| Beam angle (°) | 15 |
| Life time (h) | 50000 h L80B10 |
| IP | 20 |
| Electrical class insulation | Clas II |
| Colour | Black |
| Control gear included | Yes |
| Control gear | DALI |
| Flicker Free | Yes |
| Light source | LED |
| Type of LED | COB |
| Colour temperature (K) | 2700 |
| Colour consistency (SDCM) | SDCM3 |
| CRI | 90 |