



### MINI F-T

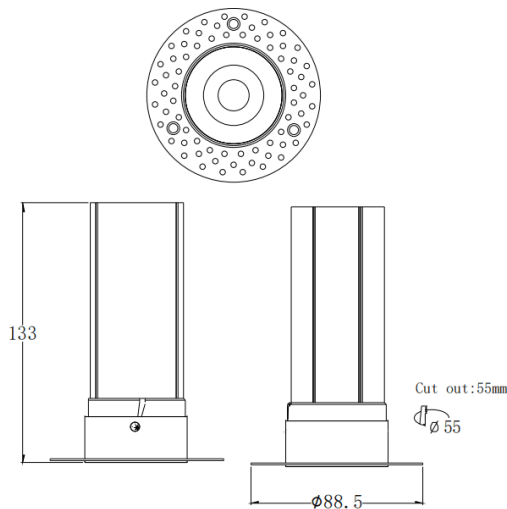
Lavov downlight from the family MINI F-T with a power of 15W and a beam angle of 36°. Finished in Black colour. Fix trimless version. With a total lumen output of 1427.4lm and a luminous efficacy of 95.16lm/W. Made in Die Cast Aluminum. Driver ON/OFF. CCT 3000K.

<b>Item code</b>	<b>86.D103.7331.02</b>
<b>Product type</b>	<b>Indoor</b>
<b>Category</b>	<b>Downlights</b>
<b>Family</b>	<b>MINI</b>
<b>Subfamily</b>	<b>MINI F-T</b>
<b>Pictograms</b>	

### Dimensions

**Product dimensions (mm)** **ø88.5\*H133mm**

### Scheme



<b>Product</b>	
<b>Real power (W)</b>	<b>15</b>
<b>Real luminous flux (Lm)</b>	<b>1427.4</b>
<b>Luminous efficiency (Lm/W)</b>	<b>95.16</b>
<b>Beam angle (°)</b>	<b>36</b>
<b>Life time (h)</b>	<b>50000 h L80B10</b>
<b>IP</b>	<b>20</b>
<b>Electrical class insulation</b>	<b>Clas II</b>
<b>Colour</b>	<b>Black</b>
<b>Control gear included</b>	<b>Yes</b>
<b>Control gear</b>	<b>ON/OFF</b>
<b>Flicker Free</b>	<b>Yes</b>
<b>Light source</b>	<b>LED</b>
<b>Type of LED</b>	<b>COB</b>
<b>Colour temperature (K)</b>	<b>3000</b>
<b>Colour consistency (SDCM)</b>	<b>SDCM3</b>
<b>CRI</b>	<b>90</b>