



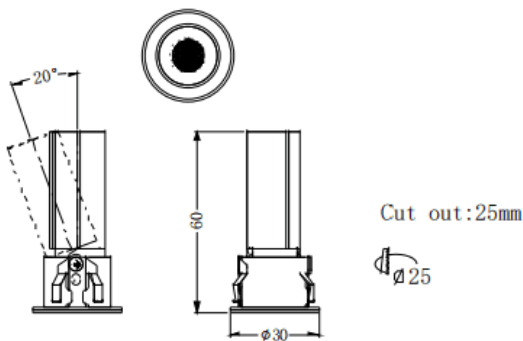
### MINI A

Lavov downlight from the family MINI A with a power of 3W and a beam angle of 24°. Finished in Black colour. Adjustable version. With a total lumen output of 180lm and a luminous efficacy of 60lm/W. Made in Die Cast Aluminum. Driver ON/OFF. CCT 2700K.

### Dimensions

Product dimensions (mm) **ø30\*H60mm**

### Scheme



Item code	86.D104.1221.02
Product type	Indoor
Category	Downlights
Family	MINI
Subfamily	MINI A
Pictograms	

Product	
Real power (W)	3
Real luminous flux (Lm)	180
Luminous efficiency (Lm/W)	60
Beam angle (&ordm;)	24
Life time (h)	50000 h L80B10
IP	20
Electrical class insulation	Clas II
Colour	Black
Control gear included	Yes
Control gear	ON/OFF
Flicker Free	Yes
Light source	LED
Type of LED	SMD
Colour temperature (K)	2700
Colour consistency (SDCM)	SDCM<3
CRI	90