



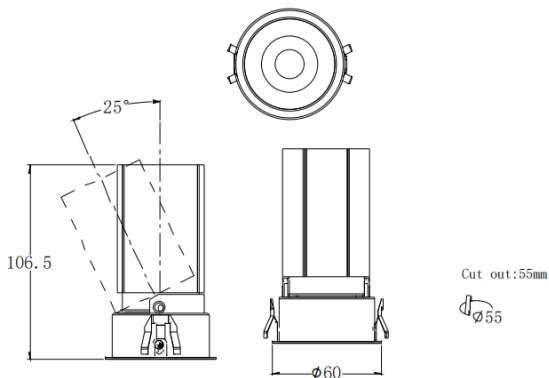
### MINI A

Lavov downlight from the family MINI A with a power of 10W and a beam angle of 15°. Finished in White colour. Adjustable version. With a total lumen output of 951.6lm and a luminous efficacy of 95.16lm/W. Made in Die Cast Aluminum. Driver ON/OFF. CCT 2700K.

### Dimensions

Product dimensions (mm) **ø60\*H106.5mm**

### Scheme



Item code	86.D104.6211.01
Product type	Indoor
Category	Downlights
Family	MINI
Subfamily	MINI A
Pictograms	<div style="display: flex; flex-wrap: wrap; gap: 5px;"> <div style="border: 1px solid black; padding: 2px;">CRI 90</div> <div style="border: 1px solid black; padding: 2px;">CE</div> <div style="border: 1px solid black; padding: 2px;">Driver INCL.</div> <div style="border: 1px solid black; padding: 2px;">On Off</div> <div style="border: 1px solid black; padding: 2px;">DALI</div> <div style="border: 1px solid black; padding: 2px;">IP 20</div> </div>

Product	
Real power (W)	10
Real luminous flux (Lm)	951.6
Luminous efficiency (Lm/W)	95.16
Beam angle (°)	15
Life time (h)	50000 h L80B10
IP	20
Electrical class insulation	Clas II
Colour	White
Control gear included	Yes
Control gear	ON/OFF
Flicker Free	Yes
Light source	LED
Type of LED	COB
Colour temperature (K)	2700
Colour consistency (SDCM)	SDCM<3
CRI	90