



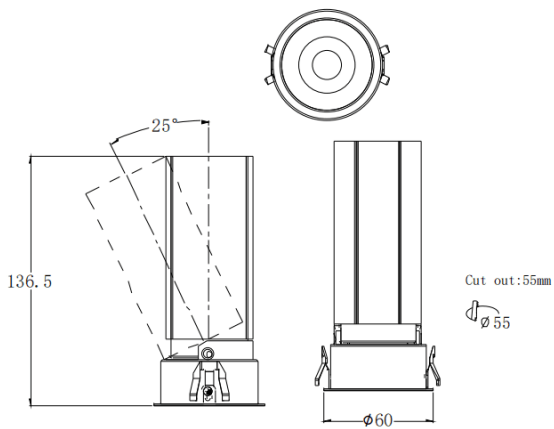
MINI A

Lavov downlight from the family MINI A with a power of 15W and a beam angle of 15°. Finished in Black colour. Adjustable version. With a total lumen output of 1427.4lm and a luminous efficacy of 95.16lm/W. Made in Die Cast Aluminum. Driver DALI. CCT 3000K.

Dimensions

Product dimensions (mm) **ø60*H136.5mm**

Scheme



Photometry

| | |
|--------------|-----------------|
| Item code | 86.D104.7313.02 |
| Product type | Indoor |
| Category | Downlights |
| Family | MINI |
| Subfamily | MINI A |
| Pictograms | |

| | |
|-----------------------------|----------------|
| Product | |
| Real power (W) | 15 |
| Real luminous flux (Lm) | 1427.4 |
| Luminous efficiency (Lm/W) | 95.16 |
| Beam angle (°) | 15 |
| Life time (h) | 50000 h L80B10 |
| IP | 20 |
| Electrical class insulation | Clas II |
| Colour | Black |
| Control gear included | Yes |
| Control gear | DALI |
| Flicker Free | Yes |
| Light source | LED |
| Type of LED | COB |
| Colour temperature (K) | 3000 |
| Colour consistency (SDCM) | SDCM3 |
| CRI | 90 |

