



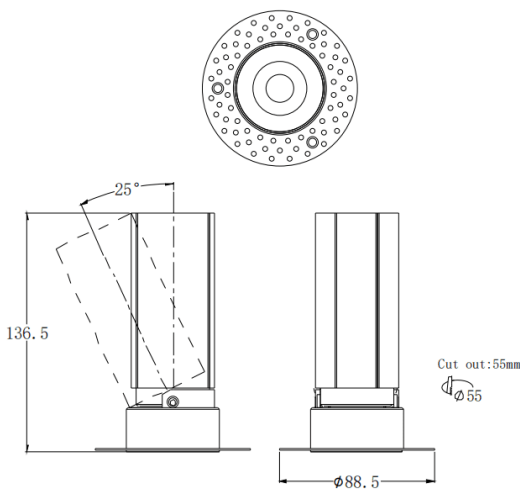
MINI A-T

Lavov downlight from the family MINI A-T with a power of 15W and a beam angle of 36°. Finished in Black colour. Adjustable trimless version. With a total lumen output of 1427.4lm and a luminous efficacy of 95.16lm/W. Made in Die Cast Aluminum. Driver DALI. CCT 3000K.

Dimensions

Product dimensions (mm) **ø88.5*H136.5mm**

Scheme



Item code	86.D105.7333.02
Product type	Indoor
Category	Downlights
Family	MINI
Subfamily	MINI A-T
Pictograms	<div style="display: flex; flex-wrap: wrap; gap: 5px;"> <div style="border: 1px solid black; padding: 2px;">CRI 90</div> <div style="border: 1px solid black; padding: 2px;">CE</div> <div style="border: 1px solid black; padding: 2px;">Driver INCL.</div> <div style="border: 1px solid black; padding: 2px;">On Off</div> <div style="border: 1px solid black; padding: 2px;">DALI</div> <div style="border: 1px solid black; padding: 2px;">IP 20</div> </div>

Product	
Real power (W)	15
Real luminous flux (Lm)	1427.4
Luminous efficiency (Lm/W)	95.16
Beam angle (&ordm;)	36
Life time (h)	50000 h L80B10
IP	20
Electrical class insulation	Clas II
Colour	Black
Control gear included	Yes
Control gear	DALI
Flicker Free	Yes
Light source	LED
Type of LED	COB
Colour temperature (K)	3000
Colour consistency (SDCM)	SDCM<3
CRI	90