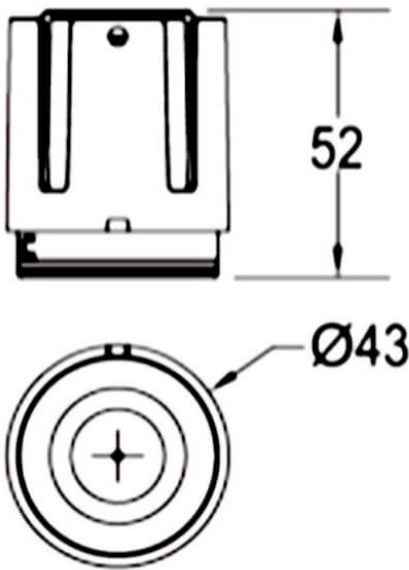




COMBO Modules

Lavov COMBO Modules ,power 9 W and CRI 90 with an optic 24 degrees made in Die Cast Aluminum finished in Silver with a real lumen output of 800lm and an efficiency of 88,89lm/W. ON/OFF driver.

Scheme



| | |
|--------------|-----------------|
| Item code | 86.D108.0421.02 |
| Product type | Indoor |
| Category | Downlights |
| Family | COMBO |
| Subfamily | COMBO Modules |
| Pictograms | |

| | |
|-----------------------------|----------------|
| Product | |
| Real power (W) | 9 |
| Real luminous flux (Lm) | 800 |
| Luminous efficiency (Lm/W) | 88.89 |
| Beam angle (º) | 24 |
| Life time (h) | 50000 h L80B10 |
| IP | 20 |
| Electrical class insulation | Clas II |
| Colour | Black |
| Control gear included | Yes |
| Control gear | ON/OFF |
| Flicker Free | Yes |
| Light source | LED |
| Type of LED | COB |
| Colour temperature (K) | 4000 |
| Colour consistency (SDCM) | SDCM<3 |
| CRI | 90 |