



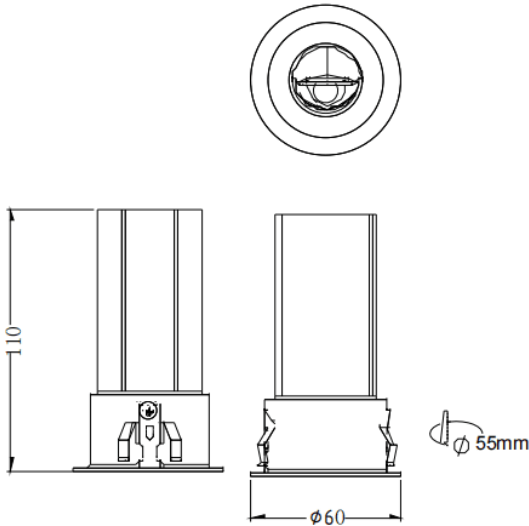
MINI WW

Lavov downlight from the family MINI WW with a power of 15W and a beam angle of wall washer. Finished in White colour. Wall washer fix version. With a total lumen output of 1020lm and a luminous efficacy of 68lm/W. Made in Die Cast Aluminum. Driver DALI. CCT 2700K.

Dimensions

Product dimensions (mm) **ø60*H110mm**

Scheme



Item code	86.D108.2253.01
Product type	Indoor
Category	Downlights
Family	MINI
Subfamily	MINI WW
Pictograms	<div style="display: flex; flex-wrap: wrap; gap: 5px;"> <div style="border: 1px solid gray; padding: 2px;">CRI 90</div> <div style="border: 1px solid gray; padding: 2px;">CE</div> <div style="border: 1px solid gray; padding: 2px;">Driver INCL.</div> <div style="border: 1px solid gray; padding: 2px;">On Off</div> <div style="border: 1px solid gray; padding: 2px;">DALI</div> <div style="border: 1px solid gray; padding: 2px;">IP 20</div> </div>

Product	
Real power (W)	15
Real luminous flux (Lm)	1020
Luminous efficiency (Lm/W)	68
Beam angle (°)	wall washer
Life time (h)	50000 h L80B10
IP	20
Electrical class insulation	Clas II
Colour	White
Control gear included	Yes
Control gear	DALI
Flicker Free	Yes
Light source	LED
Type of LED	SMD
Colour temperature (K)	2700
Colour consistency (SDCM)	SDCM3
CRI	90