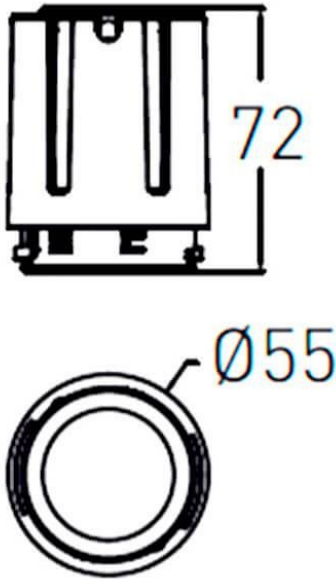




### COMBO Modules

Lavov COMBO Modules ,power 15 W and CRI 90 with an optic 24 degrees made in Die Cast Aluminum finished in Silver with a real lumen output of 2000lm and an efficiency of 90,90lm/W. DALI driver.

### Scheme



|              |                 |
|--------------|-----------------|
| Item code    | 86.D108.2323.02 |
| Product type | Indoor          |
| Category     | Downlights      |
| Family       | COMBO           |
| Subfamily    | COMBO Modules   |
| Pictograms   |                 |

|                             |                |
|-----------------------------|----------------|
| Product                     |                |
| Real power (W)              | 15             |
| Real luminous flux (Lm)     | 1500           |
| Luminous efficiency (Lm/W)  | 100            |
| Beam angle (°)              | 24             |
| Life time (h)               | 50000 h L80B10 |
| IP                          | 20             |
| Electrical class insulation | Clas II        |
| Colour                      | Black          |
| Control gear included       | Yes            |
| Control gear                | DALI           |
| Flicker Free                | Yes            |
| Light source                | LED            |
| Type of LED                 | COB            |
| Colour temperature (K)      | 3000           |
| Colour consistency (SDCM)   | SDCM3          |
| CRI                         | 90             |