



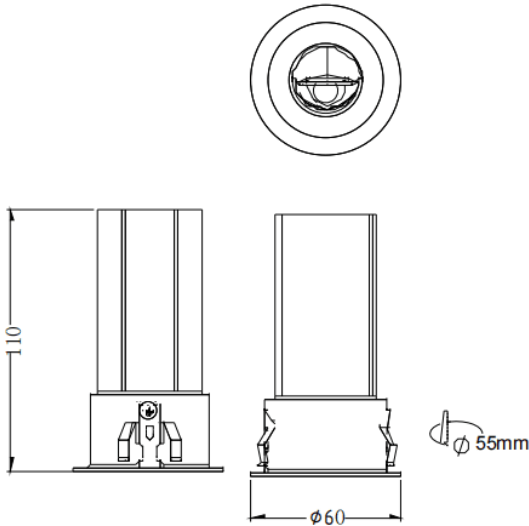
**MINI WW**

Lavov downlight from the family MINI WW with a power of 15W and a beam angle of wall washer. Finished in Black colour. Wall washer fix version. With a total lumen output of 1020lm and a luminous efficacy of 68lm/W. Made in Die Cast Aluminum. Driver DALI. CCT 2700K.

**Dimensions**

Product dimensions (mm) **ø60\*H110mm**

**Scheme**



<b>Item code</b>	<b>86.D108.2353.02</b>
<b>Product type</b>	<b>Indoor</b>
<b>Category</b>	<b>Downlights</b>
<b>Family</b>	<b>MINI</b>
<b>Subfamily</b>	<b>MINI WW</b>
<b>Pictograms</b>	

<b>Product</b>	
<b>Real power (W)</b>	<b>15</b>
<b>Real luminous flux (Lm)</b>	<b>1020</b>
<b>Luminous efficiency (Lm/W)</b>	<b>68</b>
<b>Beam angle (&amp;ordm;)</b>	<b>wall washer</b>
<b>Life time (h)</b>	<b>50000 h L80B10</b>
<b>IP</b>	<b>20</b>
<b>Electrical class insulation</b>	<b>Clas II</b>
<b>Colour</b>	<b>Black</b>
<b>Control gear included</b>	<b>Yes</b>
<b>Control gear</b>	<b>DALI</b>
<b>Flicker Free</b>	<b>Yes</b>
<b>Light source</b>	<b>LED</b>
<b>Type of LED</b>	<b>SMD</b>
<b>Colour temperature (K)</b>	<b>2700</b>
<b>Colour consistency (SDCM)</b>	<b>SDCM&lt;3</b>
<b>CRI</b>	<b>90</b>