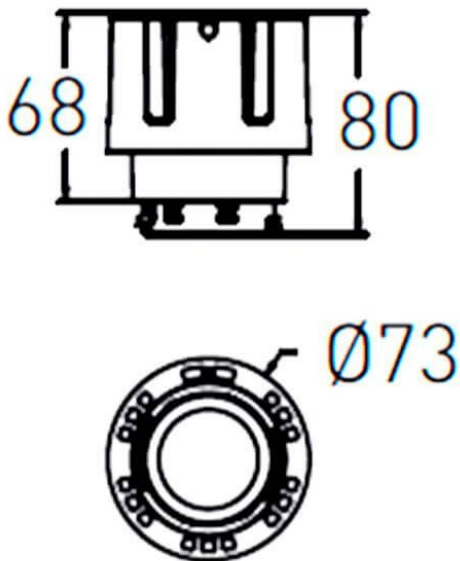





COMBO Modules

Lavov COMBO Modules ,power 20 W and CRI 90 with an optic 20 degrees made in Die Cast Aluminum finished in Silver with a real lumen output of 2000lm and an efficiency of 100lm/W. ON/OFF driver.

Scheme



Item code	86.D108.3311.02
Product type	Indoor
Category	Downlights
Family	COMBO
Subfamily	COMBO Modules
Pictograms	

Product	
Real power (W)	20
Real luminous flux (Lm)	2000
Luminous efficiency (Lm/W)	100
Beam angle (°)	15
Life time (h)	50000 h L80B10
IP	20
Electrical class insulation	Clas II
Colour	Black
Control gear included	Yes
Control gear	ON/OFF
Flicker Free	Yes
Light source	LED
Type of LED	COB
Colour temperature (K)	3000
Colour consistency (SDCM)	SDCM<3
CRI	90