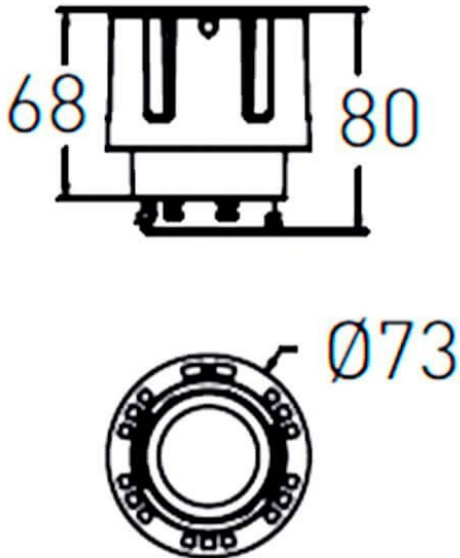




COMBO Modules

Lavov COMBO Modules ,power 20 W and CRI 90 with an optic 20 degrees made in Die Cast Aluminum finished in Silver with a real lumen output of 2000lm and an efficiency of 100lm/W. DALI driver.

Scheme



Item code	86.D108.3323.02
Product type	Indoor
Category	Downlights
Family	COMBO
Subfamily	COMBO Modules
Pictograms	

Product	
Real power (W)	20
Real luminous flux (Lm)	2000
Luminous efficiency (Lm/W)	100
Beam angle (°)	24
Life time (h)	50000 h L80B10
IP	20
Electrical class insulation	Clas II
Colour	Black
Control gear included	Yes
Control gear	DALI
Flicker Free	Yes
Light source	LED
Type of LED	COB
Colour temperature (K)	3000
Colour consistency (SDCM)	SDCM3
CRI	90