



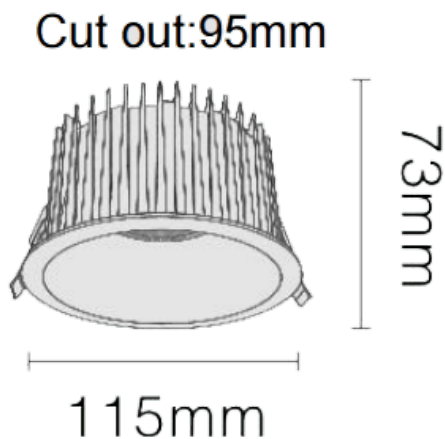
NEW PERFORM-RA

Lavov downlight from the family NEW PERFORM-RA with a power of 25W and a beam angle of 60°. Finished in White trim and black reflector. Dimensions $\varnothing 115 \times H73 \text{mm}$. With a total lumen output of 2500lm and a luminous efficacy of 100lm/W. Made in Die Cast Aluminum. Driver DALI. CCT 3000K. UGR19.

Dimensions

Product dimensions (mm) $\varnothing 115 \times H73 \text{mm}$

Scheme



Item code	86.D122.2333.B1
Product type	Indoor
Category	Downlights
Family	NEW PERFORM
Subfamily	NEW PERFORM-RA
Pictograms	

Product	
Real power (W)	25
Real luminous flux (Lm)	2500
Luminous efficiency (Lm/W)	100
Beam angle (º)	60
Life time (h)	50000 h L80B10
IP	20
Electrical class insulation	Clas II
Colour	White trim and black reflector
U. G. R	<19
Control gear included	Yes
Control gear	DALI
Flicker Free	Yes
Light source	LED
Type of LED	COB
Colour temperature (K)	3000
Colour consistency (SDCM)	SDCM<3
CRI	80