



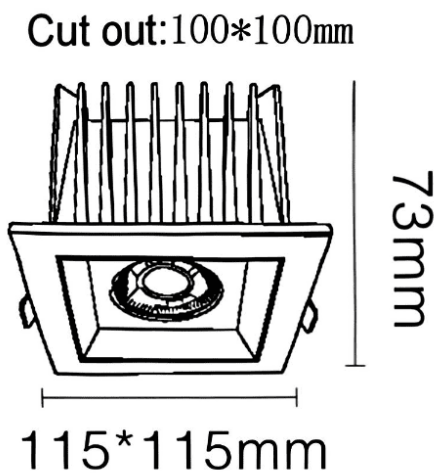
### NEW PERFORM-S

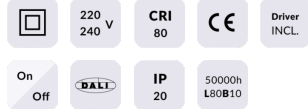
Lavov downlight from the family NEW PERFORM-S with a power of 25W and a beam angle of 24°. Finished in White trim and black reflector. Dimensions 115\*115\*H73mm. With a total lumen output of 2500lm and a luminous efficacy of 100lm/W. Made in Die Cast Aluminum. Driver DALI. CCT 3000K. UGR19.

#### Dimensions

Product dimensions (mm) **115\*115\*H73mm**

#### Scheme



Item code	<b>86.D125.2313.B1</b>
Product type	<b>Indoor</b>
Category	<b>Downlights</b>
Family	<b>NEW PERFORM</b>
Subfamily	<b>NEW PERFORM-S</b>
Pictograms	

Product	
Real power (W)	<b>25</b>
Real luminous flux (Lm)	<b>2500</b>
Luminous efficiency (Lm/W)	<b>100</b>
Beam angle (&ordm;)	<b>24</b>
Life time (h)	<b>50000 h L80B10</b>
IP	<b>20</b>
Electrical class insulation	<b>Clas II</b>
Colour	<b>White trim and black reflector</b>
U. G. R	<b>&lt;19</b>
Control gear included	<b>Yes</b>
Control gear	<b>DALI</b>
Flicker Free	<b>Yes</b>
Light source	<b>LED</b>
Type of LED	<b>COB</b>
Colour temperature (K)	<b>3000</b>
Colour consistency (SDCM)	<b>SDCM&lt;3</b>
CRI	<b>80</b>