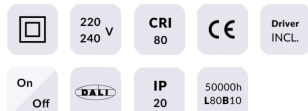




### NEW PERFORM-S Smart

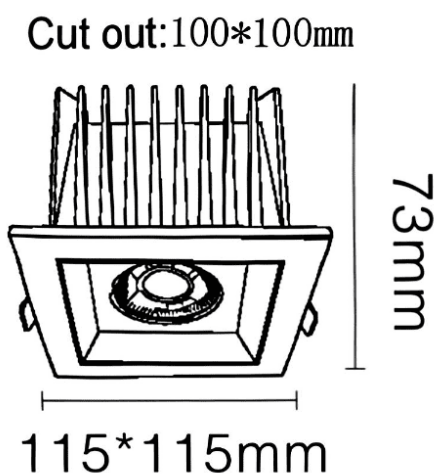
Lavov downlight from the family PERFORM-S with a power of 25W and a beam angle of 24°. Finished in White trim and white reflector. Dimensions  $\varnothing 115 \times H73$ mm. With a total lumen output of 2500lm and a luminous efficacy of 100lm/W. Made in Die Cast Aluminum. Driver DALI. CCT 3000K. UGR19.

<b>Item code</b>	<b>86.D125.2319.A1</b>
<b>Product type</b>	<b>Indoor</b>
<b>Category</b>	<b>Downlights</b>
<b>Family</b>	<b>NEW PERFORM</b>
<b>Subfamily</b>	<b>NEW PERFORM-S Smart</b>
<b>Pictograms</b>	

### Dimensions

**Product dimensions (mm)** **115\*115\*H73mm**

### Scheme



<b>Product</b>	
<b>Real power (W)</b>	<b>25</b>
<b>Real luminous flux (Lm)</b>	<b>2500</b>
<b>Luminous efficiency (Lm/W)</b>	<b>100</b>
<b>Beam angle (&amp;ordm;)</b>	<b>24</b>
<b>Life time (h)</b>	<b>50000 h L80B10</b>
<b>IP</b>	<b>20</b>
<b>Electrical class insulation</b>	<b>Clas II</b>
<b>Colour</b>	<b>White trim and white reflector</b>
<b>U. G. R</b>	<b>&lt;19</b>
<b>Control gear included</b>	<b>Yes</b>
<b>Control gear</b>	<b>DALI Casambi ready</b>
<b>Flicker Free</b>	<b>Yes</b>
<b>Light source</b>	<b>LED</b>
<b>Type of LED</b>	<b>COB</b>
<b>Colour temperature (K)</b>	<b>3000</b>
<b>Colour consistency (SDCM)</b>	<b>SDCM&lt;3</b>
<b>CRI</b>	<b>80</b>