



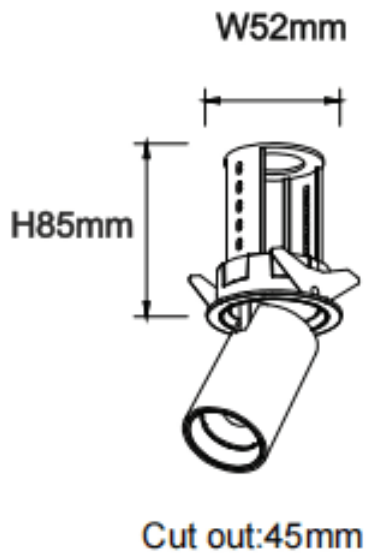
PTT R

Lavov downlight from the family PTT R with a power of 7W and a beam angle of 24°. Finished in Black colour. Trim version. With a total lumen output of 700lm and a luminous efficacy of 100lm/W. Made in Die Cast Aluminum. Driver ON/OFF. CCT 3000K.

Dimensions

Product dimensions (mm) **ø52xH85mm**

Scheme



Photometry

| | |
|--------------|-----------------|
| Item code | 86.D146.1321.02 |
| Product type | Indoor |
| Category | Downlights |
| Family | PTT |
| Subfamily | PTT R |
| Pictograms | |

Product

| | |
|----------------------------|----------------|
| Real power (W) | 7 |
| Real luminous flux (Lm) | 700 |
| Luminous efficiency (Lm/W) | 100 |
| Beam angle (°) | 24 |
| Life time (h) | 50000 h L80B10 |
| Colour | Black |
| Control gear included | Yes |
| Control gear | ON/OFF |
| Flicker Free | Yes |
| Light source | LED |
| Type of LED | COB |
| Colour temperature (K) | 3000 |
| Colour consistency (SDCM) | SDCM3 |
| CRI | 90 |

