



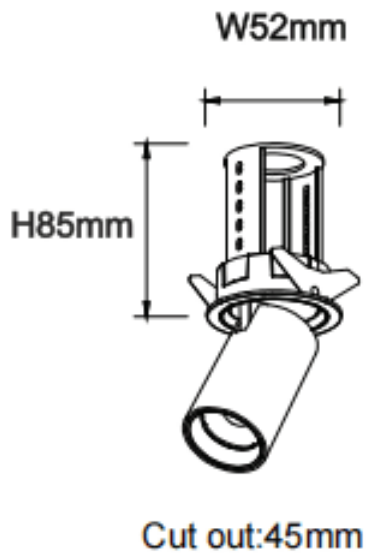
### PTT R

Lavov downlight from the family PTT R with a power of 7W and a beam angle of 15°. Finished in White colour. Trim version. With a total lumen output of 700lm and a luminous efficacy of 100lm/W. Made in Die Cast Aluminum. Driver ON/OFF. CCT 4000K.

#### Dimensions

Product dimensions (mm) **ø52xH85mm**

#### Scheme



Item code	<b>86.D146.1411.01</b>
Product type	<b>Indoor</b>
Category	<b>Downlights</b>
Family	<b>PTT</b>
Subfamily	<b>PTT R</b>
Pictograms	

<b>Product</b>	
Real power (W)	<b>7</b>
Real luminous flux (Lm)	<b>700</b>
Luminous efficiency (Lm/W)	<b>100</b>
Beam angle (&ordm;)	<b>15</b>
Life time (h)	<b>50000 h L80B10</b>
Colour	<b>White</b>
Control gear included	<b>Yes</b>
Control gear	<b>ON/OFF</b>
Flicker Free	<b>Yes</b>
Light source	<b>LED</b>
Type of LED	<b>COB</b>
Colour temperature (K)	<b>4000</b>
Colour consistency (SDCM)	<b>SDCM&lt;3</b>
CRI	<b>90</b>