



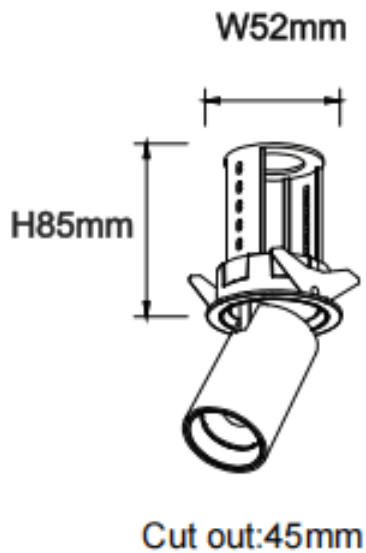
### PTT R

Lavov downlight from the family PTT R with a power of 7W and a beam angle of 55°. Finished in White colour. Trim version. With a total lumen output of 700lm and a luminous efficacy of 100lm/W. Made in Die Cast Aluminum. Driver DALI. CCT 4000K.

#### Dimensions

Product dimensions (mm) **ø52xH85mm**

#### Scheme



Item code	86.D146.1443.01
Product type	Indoor
Category	Downlights
Family	PTT
Subfamily	PTT R
Pictograms	

Product	
Real power (W)	7
Real luminous flux (Lm)	700
Luminous efficiency (Lm/W)	100
Beam angle (&ordm;)	55
Life time (h)	50000 h L80B10
Colour	White
Control gear included	Yes
Control gear	DALI
Flicker Free	Yes
Light source	LED
Type of LED	COB
Colour temperature (K)	4000
Colour consistency (SDCM)	SDCM<3
CRI	90