



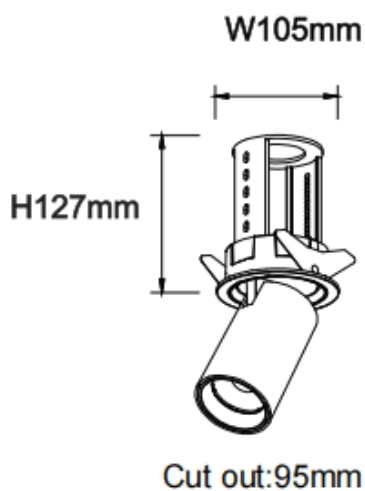
PTT R

Lavov downlight from the family PTT R with a power of 30W and a beam angle of 24°. Finished in White colour. Trim version. With a total lumen output of 3000lm and a luminous efficacy of 100lm/W. Made in Die Cast Aluminum. Driver DALI. CCT 3000K.

Dimensions

Product dimensions (mm) $\text{Ø}105 \times \text{H}127 \text{mm}$

Scheme



Photometry

Item code	86.D146.4323.01
Product type	Indoor
Category	Downlights
Family	PTT
Subfamily	PTT R
Pictograms	

Product	
Real power (W)	30
Real luminous flux (Lm)	3000
Luminous efficiency (Lm/W)	100
Beam angle (º)	24
Life time (h)	50000 h L80B10
Colour	White
Control gear included	Yes
Control gear	DALI
Flicker Free	Yes
Light source	LED
Type of LED	COB
Colour temperature (K)	3000
Colour consistency (SDCM)	SDCM<3
CRI	90

