



### PTT R

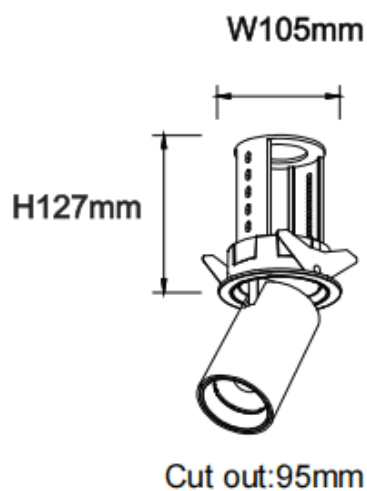
Lavov downlight from the family PTT R with a power of 30W and a beam angle of 24°. Finished in Black colour. Trim version. With a total lumen output of 3000lm and a luminous efficacy of 100lm/W. Made in Die Cast Aluminum. Driver DALI. CCT 3000K.

<b>Item code</b>	<b>86.D146.4323.02</b>
<b>Product type</b>	<b>Indoor</b>
<b>Category</b>	<b>Downlights</b>
<b>Family</b>	<b>PTT</b>
<b>Subfamily</b>	<b>PTT R</b>
<b>Pictograms</b>	

### Dimensions

**Product dimensions (mm)**      **Ø105xH127mm**

### Scheme



<b>Product</b>	
<b>Real power (W)</b>	<b>30</b>
<b>Real luminous flux (Lm)</b>	<b>3000</b>
<b>Luminous efficiency (Lm/W)</b>	<b>100</b>
<b>Beam angle (&amp;ordm;)</b>	<b>24</b>
<b>Life time (h)</b>	<b>50000 h L80B10</b>
<b>Colour</b>	<b>Black</b>
<b>Control gear included</b>	<b>Yes</b>
<b>Control gear</b>	<b>DALI</b>
<b>Flicker Free</b>	<b>Yes</b>
<b>Light source</b>	<b>LED</b>
<b>Type of LED</b>	<b>COB</b>
<b>Colour temperature (K)</b>	<b>3000</b>
<b>Colour consistency (SDCM)</b>	<b>SDCM&lt;3</b>
<b>CRI</b>	<b>90</b>

### Photometry

