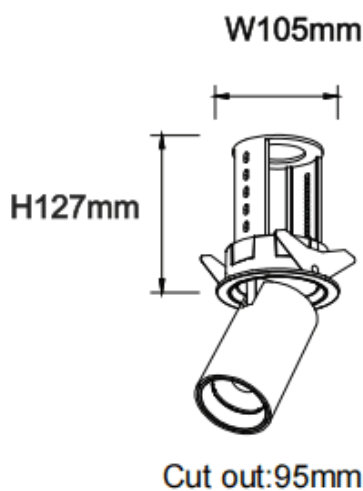


**PTT R**

Lavov downlight from the family PTT R with a power of 30W and a beam angle of 55°. Finished in White colour. Trim version. With a total lumen output of 3000lm and a luminous efficacy of 100lm/W. Made in Die Cast Aluminum. Driver ON/OFF. CCT 4000K.

**Dimensions**

Product dimensions (mm)  $\text{Ø}105 \times \text{H}127 \text{mm}$

**Scheme**

Item code	86.D146.4441.01
Product type	Indoor
Category	Downlights
Family	PTT
Subfamily	PTT R
Pictograms	

Product	
Real power (W)	30
Real luminous flux (Lm)	3000
Luminous efficiency (Lm/W)	100
Beam angle (°)	55
Life time (h)	50000 h L80B10
Colour	White
Control gear included	Yes
Control gear	ON/OFF
Flicker Free	Yes
Light source	LED
Type of LED	COB
Colour temperature (K)	4000
Colour consistency (SDCM)	SDCM3
CRI	90