



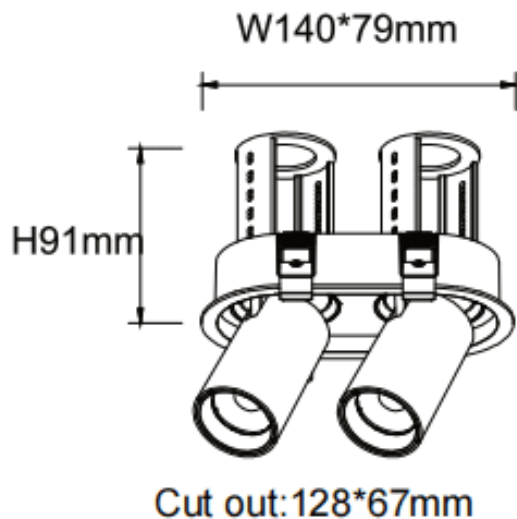
PTT R2

Lavov downlight from the family PTT R2 with a power of 2x10W and a beam angle of 24°. Finished in White colour. Trim version. With a total lumen output of 2000lm and a luminous efficacy of 100lm/W. Made in Die Cast Aluminum. Driver ON/OFF. CCT 4000K.

Dimensions

Product dimensions (mm) $\varnothing 140 \times 79 \times H91 \text{mm}$

Scheme



| | |
|--------------|-----------------|
| Item code | 86.D147.2421.01 |
| Product type | Indoor |
| Category | Downlights |
| Family | PTT |
| Subfamily | PTT R2 |
| Pictograms | |

| | |
|----------------------------|----------------|
| Product | |
| Real power (W) | 2x10 |
| Real luminous flux (Lm) | 2000 |
| Luminous efficiency (Lm/W) | 100 |
| Beam angle (°) | 24 |
| Life time (h) | 50000 h L80B10 |
| Colour | White |
| Control gear included | Yes |
| Control gear | ON/OFF |
| Flicker Free | Yes |
| Light source | LED |
| Type of LED | COB |
| Colour temperature (K) | 4000 |
| Colour consistency (SDCM) | SDCM3 |
| CRI | 90 |