




PTT R2

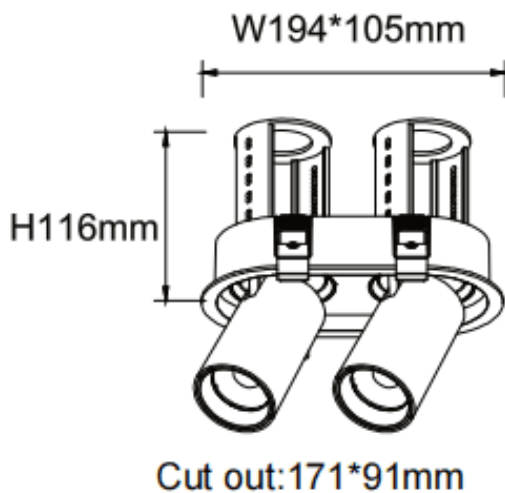
Lavov downlight from the family PTT R2 with a power of 2x18W and a beam angle of 24°. Finished in White colour. Trim version. With a total lumen output of 3600lm and a luminous efficacy of 100lm/W. Made in Die Cast Aluminum. Driver ON/OFF. CCT 3000K.

Item code	86.D147.3321.01
Product type	Indoor
Category	Downlights
Family	PTT
Subfamily	PTT R2
Pictograms	

Dimensions

Product dimensions (mm) Ø194x105xH105mm

Scheme



Product	
Real power (W)	2x18
Real luminous flux (Lm)	3600
Luminous efficiency (Lm/W)	100
Beam angle (º)	24
Life time (h)	50000 h L80B10
Colour	White
Control gear included	Yes
Control gear	ON/OFF
Flicker Free	Yes
Light source	LED
Type of LED	COB
Colour temperature (K)	3000
Colour consistency (SDCM)	SDCM<3
CRI	90