



### PTT R2

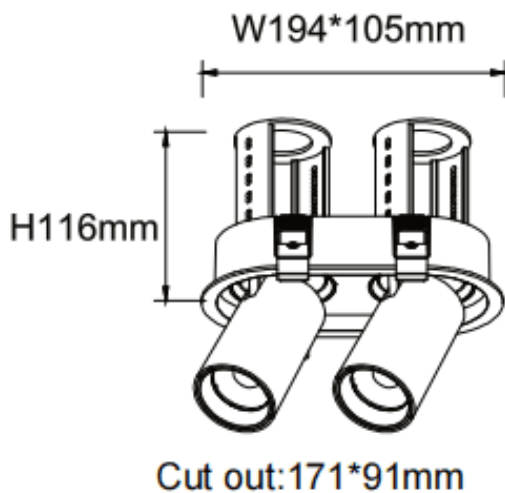
Lavov downlight from the family PTT R2 with a power of 2x18W and a beam angle of 24°. Finished in White colour. Trim version. With a total lumen output of 3600lm and a luminous efficacy of 100lm/W. Made in Die Cast Aluminum. Driver DALI. CCT 4000K.

Item code	86.D147.3423.01
Product type	Indoor
Category	Downlights
Family	PTT
Subfamily	PTT R2
Pictograms	

### Dimensions

Product dimensions (mm)      Ø194x105xH105mm

### Scheme



Product	
Real power (W)	2x18
Real luminous flux (Lm)	3600
Luminous efficiency (Lm/W)	100
Beam angle (°)	24
Life time (h)	50000 h L80B10
Colour	White
Control gear included	Yes
Control gear	DALI
Flicker Free	Yes
Light source	LED
Type of LED	COB
Colour temperature (K)	4000
Colour consistency (SDCM)	SDCM3
CRI	90