



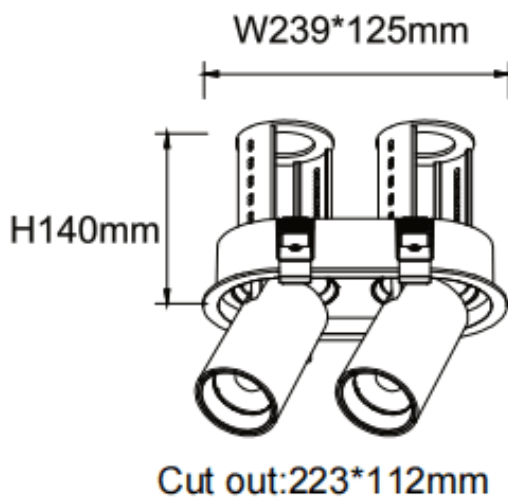
PTT R2

Lavov downlight from the family PTT R2 with a power of 2x30W and a beam angle of 55°. Finished in Black colour. Trim version. With a total lumen output of 6000lm and a luminous efficacy of 100lm/W. Made in Die Cast Aluminum. Driver DALI. CCT 4000K.

Dimensions

Product dimensions (mm) Ø222x108xH140mm

Scheme



Item code	86.D147.4443.02
Product type	Indoor
Category	Downlights
Family	PTT
Subfamily	PTT R2
Pictograms	

Product	
Real power (W)	2x30
Real luminous flux (Lm)	6000
Luminous efficiency (Lm/W)	100
Beam angle (°)	55
Life time (h)	50000 h L80B10
Colour	Black
Control gear included	Yes
Control gear	DALI
Flicker Free	Yes
Light source	LED
Type of LED	COB
Colour temperature (K)	4000
Colour consistency (SDCM)	SDCM<3
CRI	90