



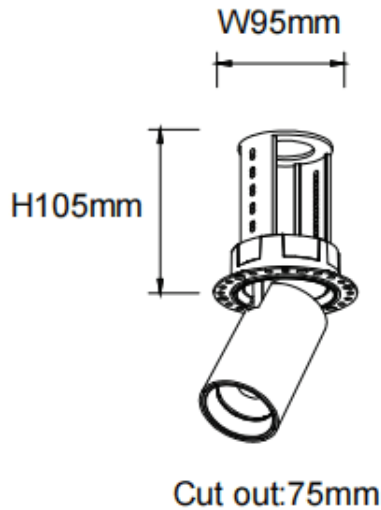
PTT RT

Lavov downlight from the family PTT RT with a power of 18W and a beam angle of 55°. Finished in Black colour. Trimless version. With a total lumen output of 1800lm and a luminous efficacy of 100lm/W. Made in Die Cast Aluminum. Driver DALI. CCT 4000K.

Dimensions

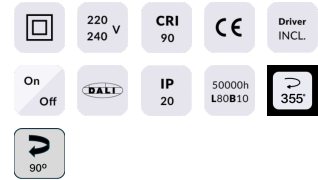
Product dimensions (mm) $\varnothing 84 \times H105 \text{mm}$

Scheme



Item code	86.D148.3443.02
Product type	Indoor
Category	Downlights
Family	PTT
Subfamily	PTT RT

Pictograms



Product	
Real power (W)	18
Real luminous flux (Lm)	1800
Luminous efficiency (Lm/W)	100
Beam angle (º)	55
Life time (h)	50000 h L80B10
Colour	Black
Control gear included	Yes
Control gear	DALI
Flicker Free	Yes
Light source	LED
Type of LED	COB
Colour temperature (K)	4000
Colour consistency (SDCM)	SDCM<3
CRI	90