

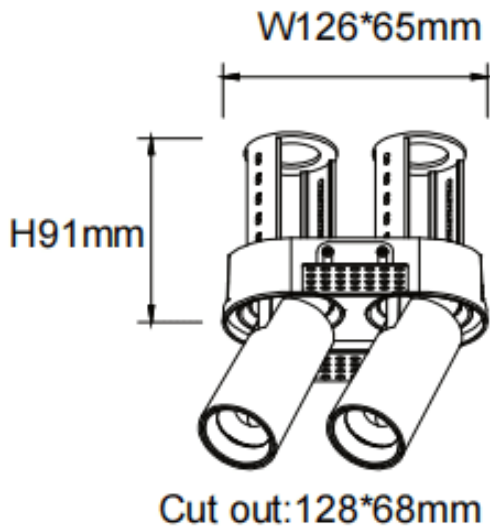
**PTT RT2**

Lavov downlight from the family PTT RT2 with a power of 2x10W and a beam angle of 36°. Finished in Black colour. Trimless version. With a total lumen output of 2000lm and a luminous efficacy of 100lm/W. Made in Die Cast Aluminum. Driver ON/OFF. CCT 4000K.

|                     |                        |
|---------------------|------------------------|
| <b>Item code</b>    | <b>86.D149.2431.02</b> |
| <b>Product type</b> | <b>Indoor</b>          |
| <b>Category</b>     | <b>Downlights</b>      |
| <b>Family</b>       | <b>PTT</b>             |
| <b>Subfamily</b>    | <b>PTT RT2</b>         |
| <b>Pictograms</b>   |                        |

**Dimensions**

**Product dimensions (mm)**      **ø140x79xH91mm**

**Scheme**

|                                   |                       |
|-----------------------------------|-----------------------|
| <b>Product</b>                    |                       |
| <b>Real power (W)</b>             | <b>2x10</b>           |
| <b>Real luminous flux (Lm)</b>    | <b>2000</b>           |
| <b>Luminous efficiency (Lm/W)</b> | <b>100</b>            |
| <b>Beam angle (°)</b>             | <b>36</b>             |
| <b>Life time (h)</b>              | <b>50000 h L80B10</b> |
| <b>Colour</b>                     | <b>Black</b>          |
| <b>Control gear included</b>      | <b>Yes</b>            |
| <b>Control gear</b>               | <b>ON/OFF</b>         |
| <b>Flicker Free</b>               | <b>Yes</b>            |
| <b>Light source</b>               | <b>LED</b>            |
| <b>Type of LED</b>                | <b>COB</b>            |
| <b>Colour temperature (K)</b>     | <b>4000</b>           |
| <b>Colour consistency (SDCM)</b>  | <b>SDCM3</b>          |
| <b>CRI</b>                        | <b>90</b>             |