

### PTT S

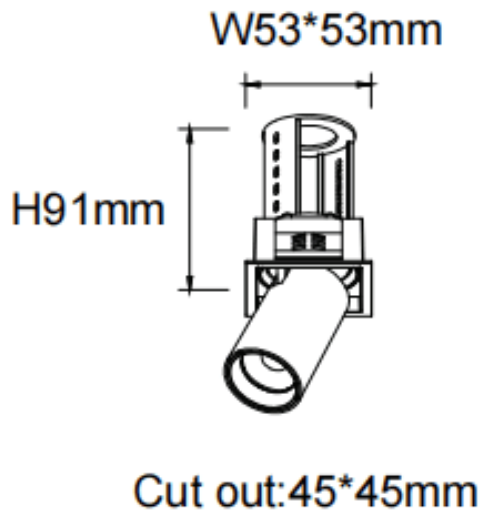
Lavov downlight from the family PTT S with a power of 7W and a beam angle of 55°. Finished in Black colour. Trim version. With a total lumen output of 700lm and a luminous efficacy of 100lm/W. Made in Die Cast Aluminum. Driver DALI. CCT 4000K.

Item code	86.D150.1443.02
Product type	Indoor
Category	Downlights
Family	PTT
Subfamily	PTT S
Pictograms	

### Dimensions

Product dimensions (mm)       $\varnothing 52 \times H85 \text{mm}$

### Scheme



### Product

Real power (W)	7
Real luminous flux (Lm)	700
Luminous efficiency (Lm/W)	100
Beam angle (°)	55
Life time (h)	50000 h L80B10
Colour	Black
Control gear included	Yes
Control gear	DALI
Flicker Free	Yes
Light source	LED
Type of LED	COB
Colour temperature (K)	4000
Colour consistency (SDCM)	SDCM3
CRI	90