



PTT S

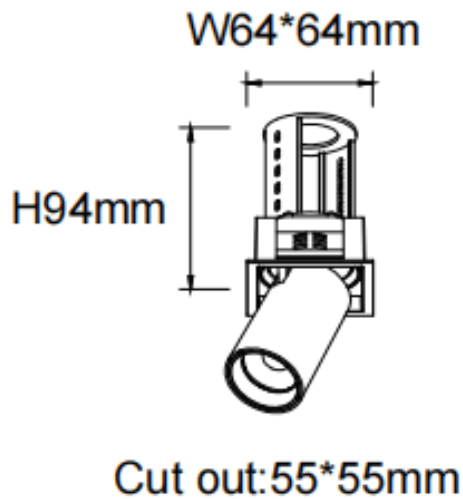
Lavov downlight from the family PTT S with a power of 10W and a beam angle of 36°. Finished in White colour. Trim version. With a total lumen output of 1000lm and a luminous efficacy of 100lm/W. Made in Die Cast Aluminum. Driver DALI. CCT 3000K.

Item code	86.D150.2333.01
Product type	Indoor
Category	Downlights
Family	PTT
Subfamily	PTT S
Pictograms	

Dimensions

Product dimensions (mm) $\varnothing 62 \times H86 \text{mm}$

Scheme



Product	
Real power (W)	10
Real luminous flux (Lm)	1000
Luminous efficiency (Lm/W)	100
Beam angle (º)	36
Life time (h)	50000 h L80B10
Colour	White
Control gear included	Yes
Control gear	DALI
Flicker Free	Yes
Light source	LED
Type of LED	COB
Colour temperature (K)	3000
Colour consistency (SDCM)	SDCM<3
CRI	90