



PTT S

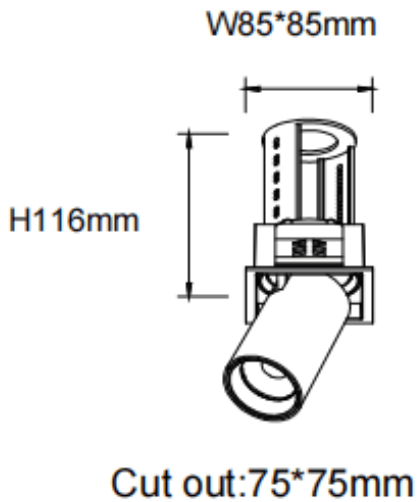
Lavov downlight from the family PTT S with a power of 18W and a beam angle of 24°. Finished in Black colour. Trim version. With a total lumen output of 1800lm and a luminous efficacy of 100lm/W. Made in Die Cast Aluminum. Driver ON/OFF. CCT 4000K.

Item code	86.D150.3421.02
Product type	Indoor
Category	Downlights
Family	PTT
Subfamily	PTT S
Pictograms	

Dimensions

Product dimensions (mm) **Ø84xH105mm**

Scheme



Product	
Real power (W)	18
Real luminous flux (Lm)	1800
Luminous efficiency (Lm/W)	100
Beam angle (&ordm;)	24
Life time (h)	50000 h L80B10
Colour	Black
Control gear included	Yes
Control gear	ON/OFF
Flicker Free	Yes
Light source	LED
Type of LED	COB
Colour temperature (K)	4000
Colour consistency (SDCM)	SDCM<3
CRI	90

Photometry

