



PTT S

Lavov downlight from the family PTT S with a power of 18W and a beam angle of 24°. Finished in Black colour. Trim version. With a total lumen output of 1800lm and a luminous efficacy of 100lm/W. Made in Die Cast Aluminum. Driver DALI. CCT 4000K.

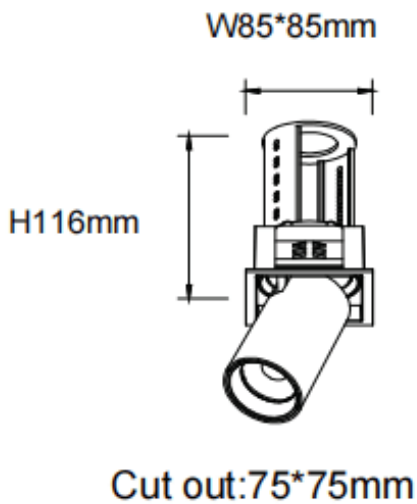
Item code	86.D150.3423.02
Product type	Indoor
Category	Downlights
Family	PTT
Subfamily	PTT S
Pictograms	

Product	
Real power (W)	18
Real luminous flux (Lm)	1800
Luminous efficiency (Lm/W)	100
Beam angle (°)	24
Life time (h)	50000 h L80B10
Colour	Black
Control gear included	Yes
Control gear	DALI
Flicker Free	Yes
Light source	LED
Type of LED	COB
Colour temperature (K)	4000
Colour consistency (SDCM)	SDCM3
CRI	90

Dimensions

Product dimensions (mm) **Ø84xH105mm**

Scheme



Photometry

