



PTT S2

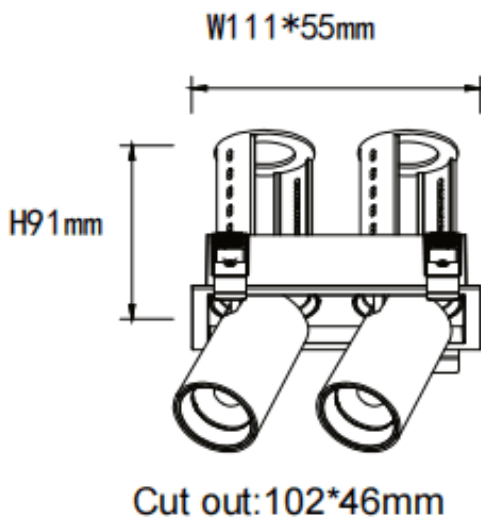
Lavov downlight from the family PTT S2 with a power of 2x7W and a beam angle of 55°. Finished in White colour. Trim version. With a total lumen output of 1400lm and a luminous efficacy of 100lm/W. Made in Die Cast Aluminum. Driver DALI. CCT 3000K.

Item code	86.D151.1343.01
Product type	Indoor
Category	Downlights
Family	PTT
Subfamily	PTT S2
Pictograms	

Dimensions

Product dimensions (mm) $\varnothing 113 \times 63 \times H90 \text{mm}$

Scheme



Product	
Real power (W)	2x7
Real luminous flux (Lm)	1400
Luminous efficiency (Lm/W)	100
Beam angle (°)	55
Life time (h)	50000 h L80B10
Colour	White
Control gear included	Yes
Control gear	DALI
Flicker Free	Yes
Light source	LED
Type of LED	COB
Colour temperature (K)	3000
Colour consistency (SDCM)	SDCM3
CRI	90