



### PTT S2

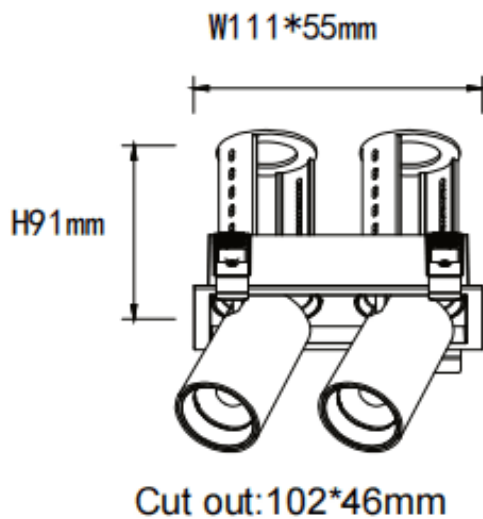
Lavov downlight from the family PTT S2 with a power of 2x7W and a beam angle of 24°. Finished in Black colour. Trim version. With a total lumen output of 1400lm and a luminous efficacy of 100lm/W. Made in Die Cast Aluminum. Driver DALI. CCT 4000K.

Item code	86.D151.1423.02
Product type	Indoor
Category	Downlights
Family	PTT
Subfamily	PTT S2
Pictograms	

### Dimensions

Product dimensions (mm)       $\varnothing 113 \times 63 \times H90 \text{mm}$

### Scheme



Product	
Real power (W)	2x7
Real luminous flux (Lm)	1400
Luminous efficiency (Lm/W)	100
Beam angle (&ordm;)	24
Life time (h)	50000 h L80B10
Colour	Black
Control gear included	Yes
Control gear	DALI
Flicker Free	Yes
Light source	LED
Type of LED	COB
Colour temperature (K)	4000
Colour consistency (SDCM)	SDCM<3
CRI	90