



PTT S2

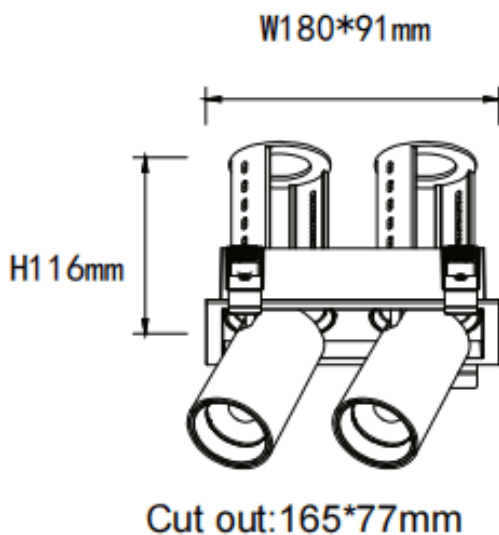
Lavov downlight from the family PTT S2 with a power of 2x18W and a beam angle of 24°. Finished in Black colour. Trim version. With a total lumen output of 3600lm and a luminous efficacy of 100lm/W. Made in Die Cast Aluminum. Driver DALI. CCT 4000K.

| | |
|--------------|-----------------|
| Item code | 86.D151.3423.02 |
| Product type | Indoor |
| Category | Downlights |
| Family | PTT |
| Subfamily | PTT S2 |
| Pictograms | |

Dimensions

Product dimensions (mm) $\varnothing 194 \times 105 \times H105 \text{mm}$

Scheme



Product

| | |
|----------------------------|----------------|
| Real power (W) | 2x18 |
| Real luminous flux (Lm) | 3600 |
| Luminous efficiency (Lm/W) | 100 |
| Beam angle (°) | 24 |
| Life time (h) | 50000 h L80B10 |
| Colour | Black |
| Control gear included | Yes |
| Control gear | DALI |
| Flicker Free | Yes |
| Light source | LED |
| Type of LED | COB |
| Colour temperature (K) | 4000 |
| Colour consistency (SDCM) | SDCM<3 |
| CRI | 90 |