

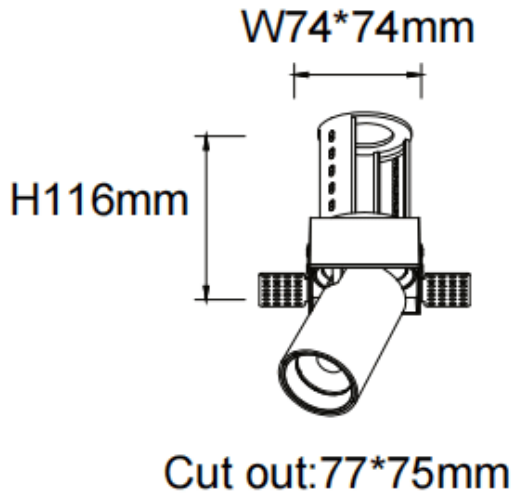
**PTT ST**

Lavov downlight from the family PTT ST with a power of 18W and a beam angle of 55°. Finished in Black colour. Trimless version. With a total lumen output of 1800lm and a luminous efficacy of 100lm/W. Made in Die Cast Aluminum. Driver DALI. CCT 4000K.

| | |
|--------------|-----------------|
| Item code | 86.D152.3443.02 |
| Product type | Indoor |
| Category | Downlights |
| Family | PTT |
| Subfamily | PTT ST |
| Pictograms | |

Dimensions

Product dimensions (mm) Ø84xH105mm

Scheme

| | |
|----------------------------|----------------|
| Product | |
| Real power (W) | 18 |
| Real luminous flux (Lm) | 1800 |
| Luminous efficiency (Lm/W) | 100 |
| Beam angle (º) | 55 |
| Life time (h) | 50000 h L80B10 |
| Colour | Black |
| Control gear included | Yes |
| Control gear | DALI |
| Flicker Free | Yes |
| Light source | LED |
| Type of LED | COB |
| Colour temperature (K) | 4000 |
| Colour consistency (SDCM) | SDCM<3 |
| CRI | 90 |