



LIGHT HOLE

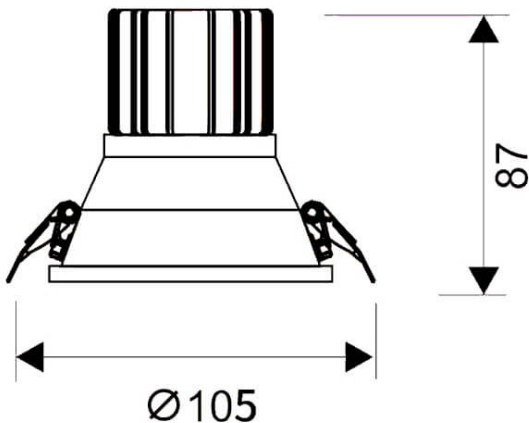
Lavov Downlights from the family LIGHT HOLE ,power 15 W and CRI 80 with an optic 24 degrees made in Die Cast Aluminum finished in White with a real lumen output of 1350lm and an efficiency of 90lm/W. ON/OFF driver.

| | |
|--------------|-----------------|
| Item code | 86.D216.2411.01 |
| Product type | Indoor |
| Category | Downlights |
| Family | LIGHT HOLE |

Pictograms



Scheme



| | |
|-----------------------------|----------------|
| Product | |
| Real power (W) | 15 |
| Real luminous flux (Lm) | 1350 |
| Luminous efficiency (Lm/W) | 90 |
| Beam angle (°) | 24 |
| Life time (h) | 50000 h L80B10 |
| IP | 20 |
| Electrical class insulation | Clas II |
| Colour | White |
| Control gear included | Yes |
| Control gear | ON/OFF |
| Flicker Free | Yes |
| Light source | LED |
| Type of LED | COB |
| Colour temperature (K) | 4000 |
| Colour consistency (SDCM) | SDCM<3 |
| CRI | 80 |