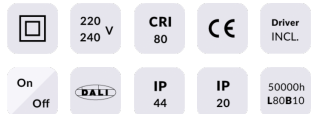


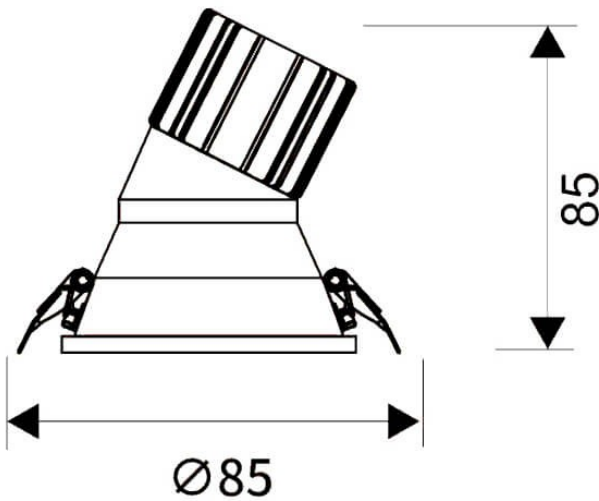


LIGHT HOLE

Lavov Downlights from the family LIGHT HOLE ,power 10 W and CRI 80 with an optic 40 degrees made in Die Cast Aluminum finished in White with a real lumen output of 900lm and an efficiency of 90lm/W. ON/OFF driver.

Item code	86.D217.1331.01
Product type	Indoor
Category	Downlights
Family	LIGHT HOLE
Pictograms	

Scheme



Product	
Real power (W)	10
Real luminous flux (Lm)	900
Luminous efficiency (Lm/W)	90
Beam angle (°)	40
Life time (h)	50000 h L80B10
IP	20
Electrical class insulation	Clas II
Colour	White
Control gear included	Yes
Control gear	ON/OFF
Flicker Free	Yes
Light source	LED
Type of LED	COB
Colour temperature (K)	3000
Colour consistency (SDCM)	SDCM<3
CRI	80