

### ZENITH IP65SX2

Lavov downlight from the family ZENITH IP65SX2 with a power of 2X12W and a 60 degrees beam angle. CCT 4000K. White color.

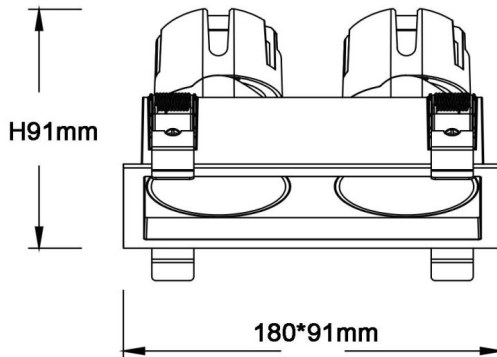
With a total lumen output of 2X960lm and a luminous efficacy of 80lm/W. Made in Die Cast Aluminum. IP65degree of protection.

Class II isolation. ON/OFFdriver. UGR19. CRI90.

#### Dimensions

Product dimensions (mm) **180\*91xH91mm**

#### Scheme



Item code	<b>86.D285.1441.01</b>
Product type	<b>Indoor</b>
Category	<b>Downlights</b>
Family	<b>ZENITH</b>
Subfamily	<b>ZENITH IP65SX2</b>
Pictograms	

<b>Product</b>	
Real power (W)	<b>2X12</b>
Real luminous flux (Lm)	<b>2X960</b>
Luminous efficiency (Lm/W)	<b>80</b>
Beam angle (°)	<b>60</b>
Life time (h)	<b>50000 h L80B10</b>
IP	<b>65</b>
Electrical class insulation	<b>Clas II</b>
Colour	<b>White</b>
U. G. R	<b>19</b>
Control gear included	<b>Yes</b>
Control gear	<b>ON/OFF</b>
Flicker Free	<b>Yes</b>
Light source	<b>LED</b>
Type of LED	<b>COB</b>
Colour temperature (K)	<b>4000</b>
Colour consistency (SDCM)	<b>SDCM&lt;3</b>
CRI	<b>90</b>