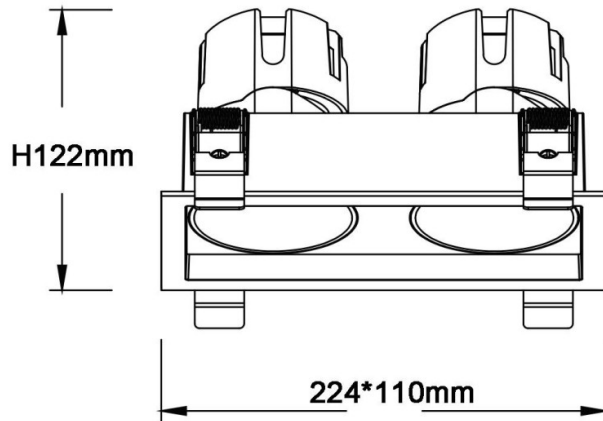

Dimensions

Product dimensions (mm) **224*110xH122mm**

Scheme



ZENITH IP65SX2

Lavov downlight from the family ZENITH IP65SX2 with a power of 2X20W and a 24 degrees beam angle. CCT 3000K. Black color.

With a total lumen output of 2X1600lm and a luminous efficacy of 80lm/W. Made in Die Cast Aluminum. IP65degree of protection.

Class II isolation. DALI driver. UGR19. CRI90.

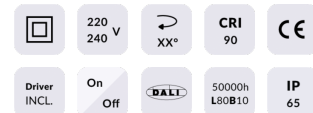
Item code **86.D285.2323.02**

Product type **Indoor**

Category **Downlights**

Family **ZENITH**

Subfamily **ZENITH IP65SX2**

Pictograms


Product

Real power (W) **2X20**

Real luminous flux (Lm) **2X1600**

Luminous efficiency (Lm/W) **80**

Beam angle (°) **24**

Life time (h) **50000 h L80B10**

IP **65**

Electrical class insulation **Clas II**

Colour **Black**

U. G. R **19**

Control gear included **Yes**

Control gear **DALI**

Flicker Free **Yes**

Light source **LED**

Type of LED **COB**

Colour temperature (K) **3000**

Colour consistency (SDCM) **SDCM<3**

CRI **90**
